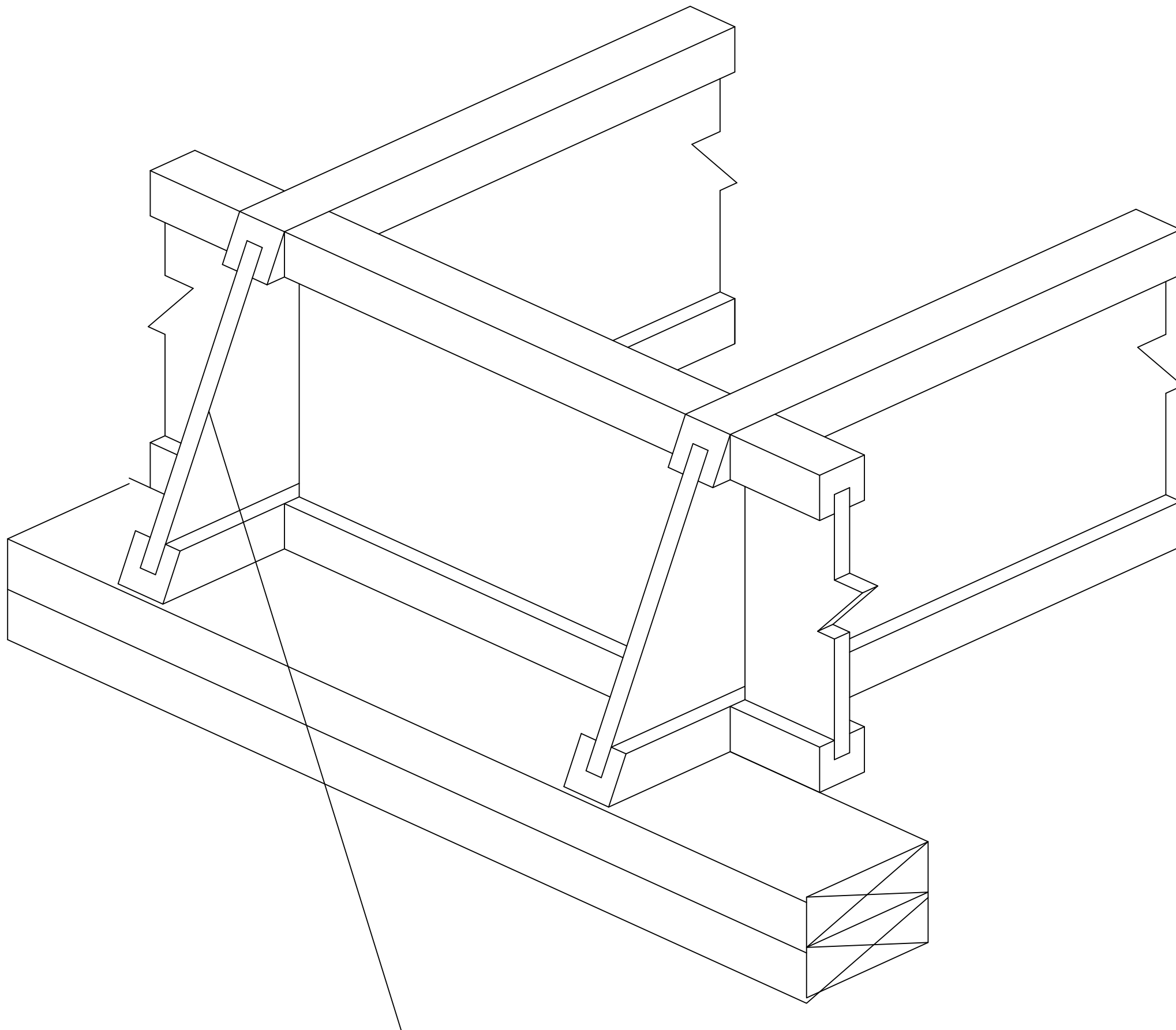


A8

BEVEL CUT/ FIRE CUT

Blocking or other lateral support required at ends of I-Joist.



Bevel cut may not extend beyond inside face of bearing wall