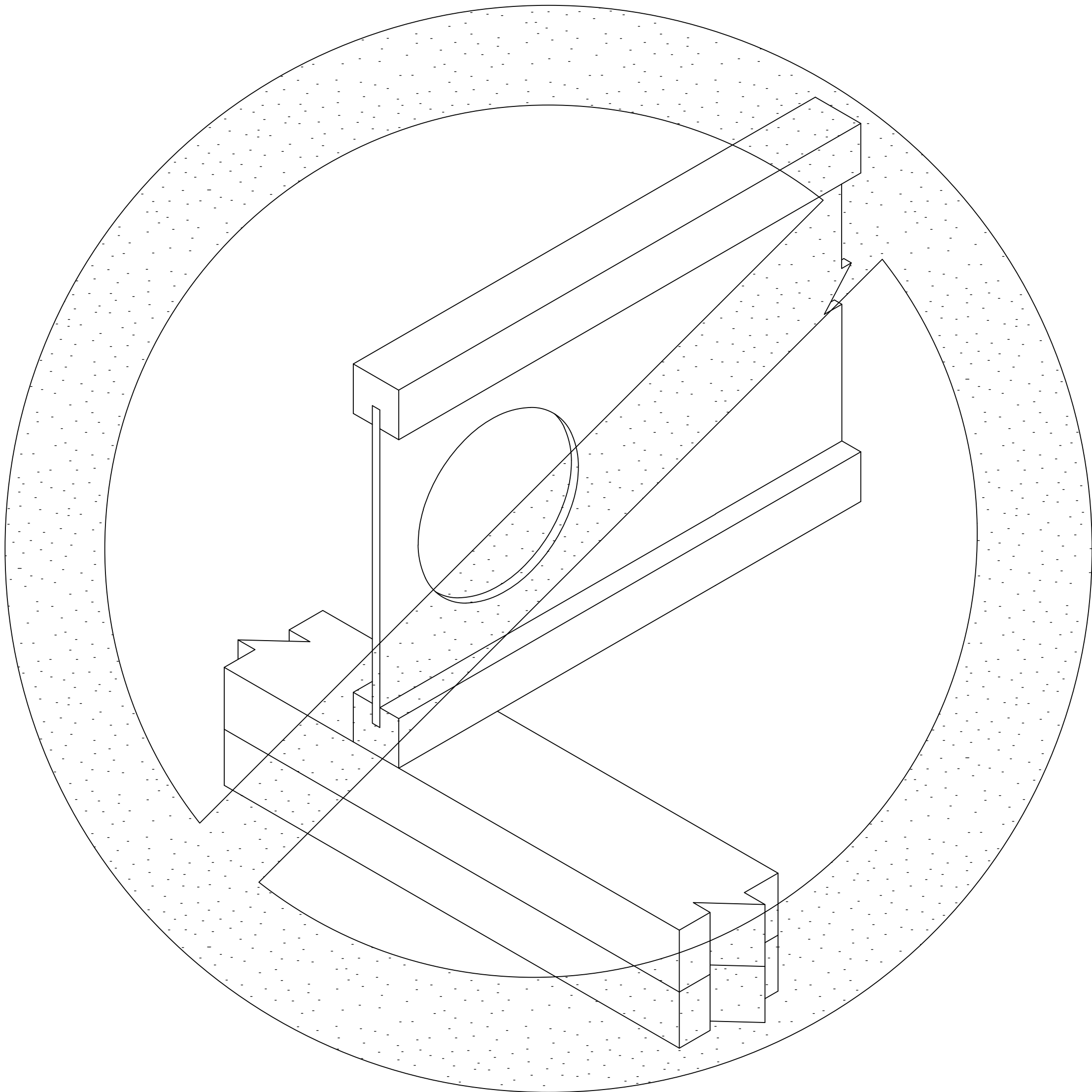


R1

DON'T put holes too close to supports.



Refer to hole chart for correct locations.