

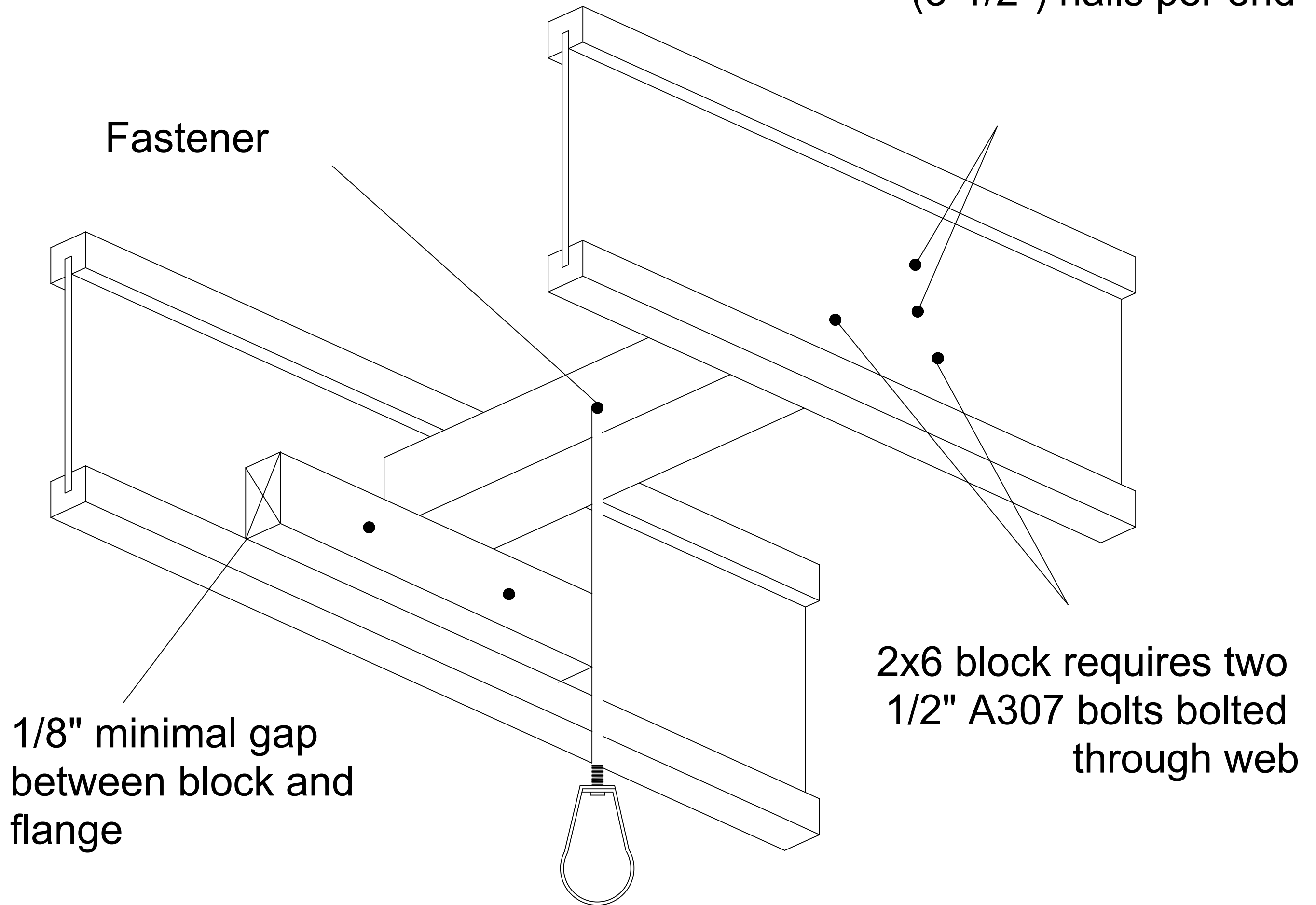
S2

SPRINKLER SUPPORT

Assembly Capacity 475 lbs.

4x6 cross member
requires two 16d
(3-1/2") nails per end

Fastener



Verify hanger capacity with manufacturer.