

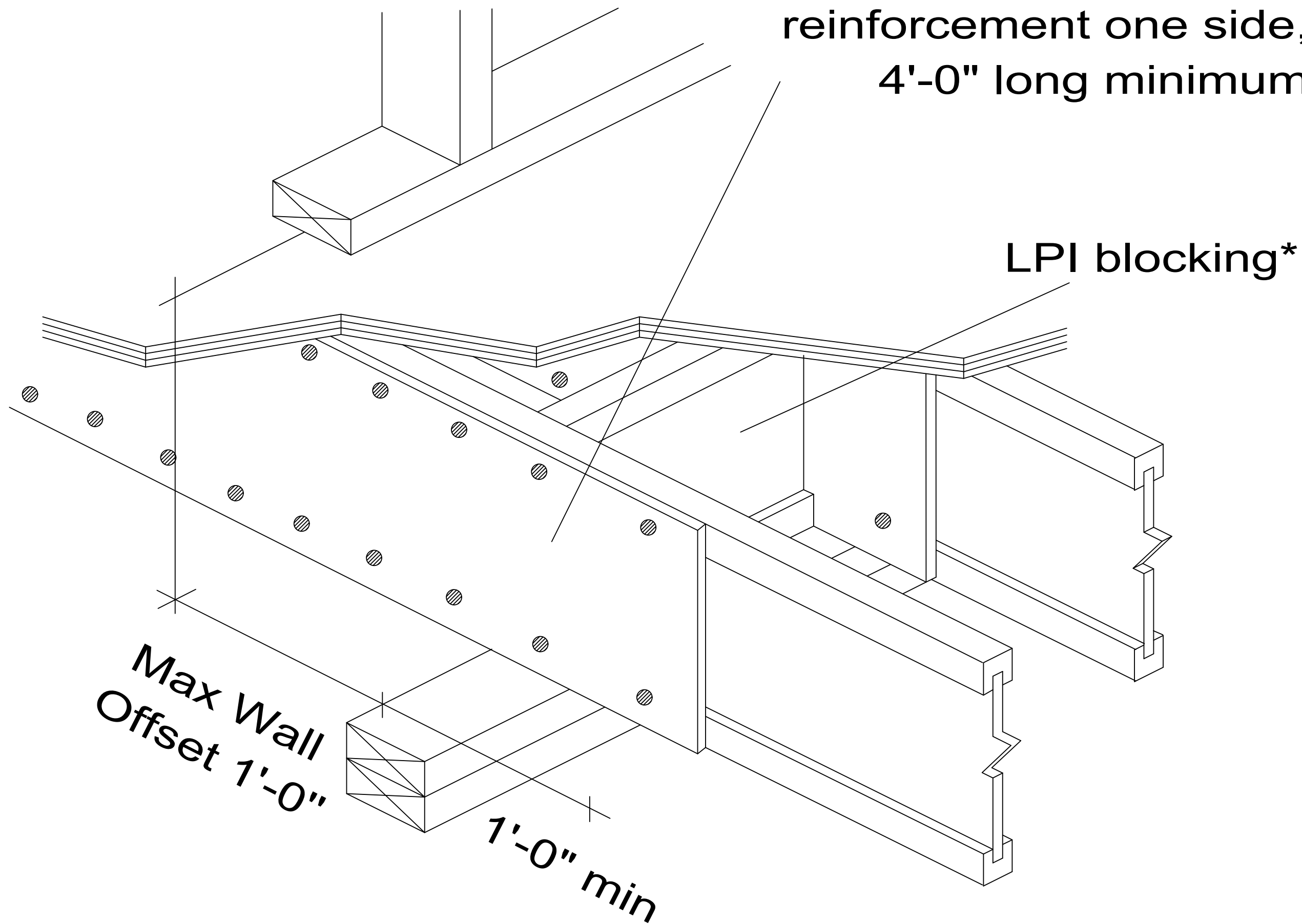
D1

INTERIOR REINFORCING

Non-Stacking Walls

1" or 1-1/8"

LP SolidStart Rim Board
reinforcement one side,
4'-0" long minimum



Attach reinforcement to top and
bottom flanges with 8d nails at 6" oc

* LP SolidStart OSB
or LSL Rim Board
may be substituted
for the LPI Blocking