

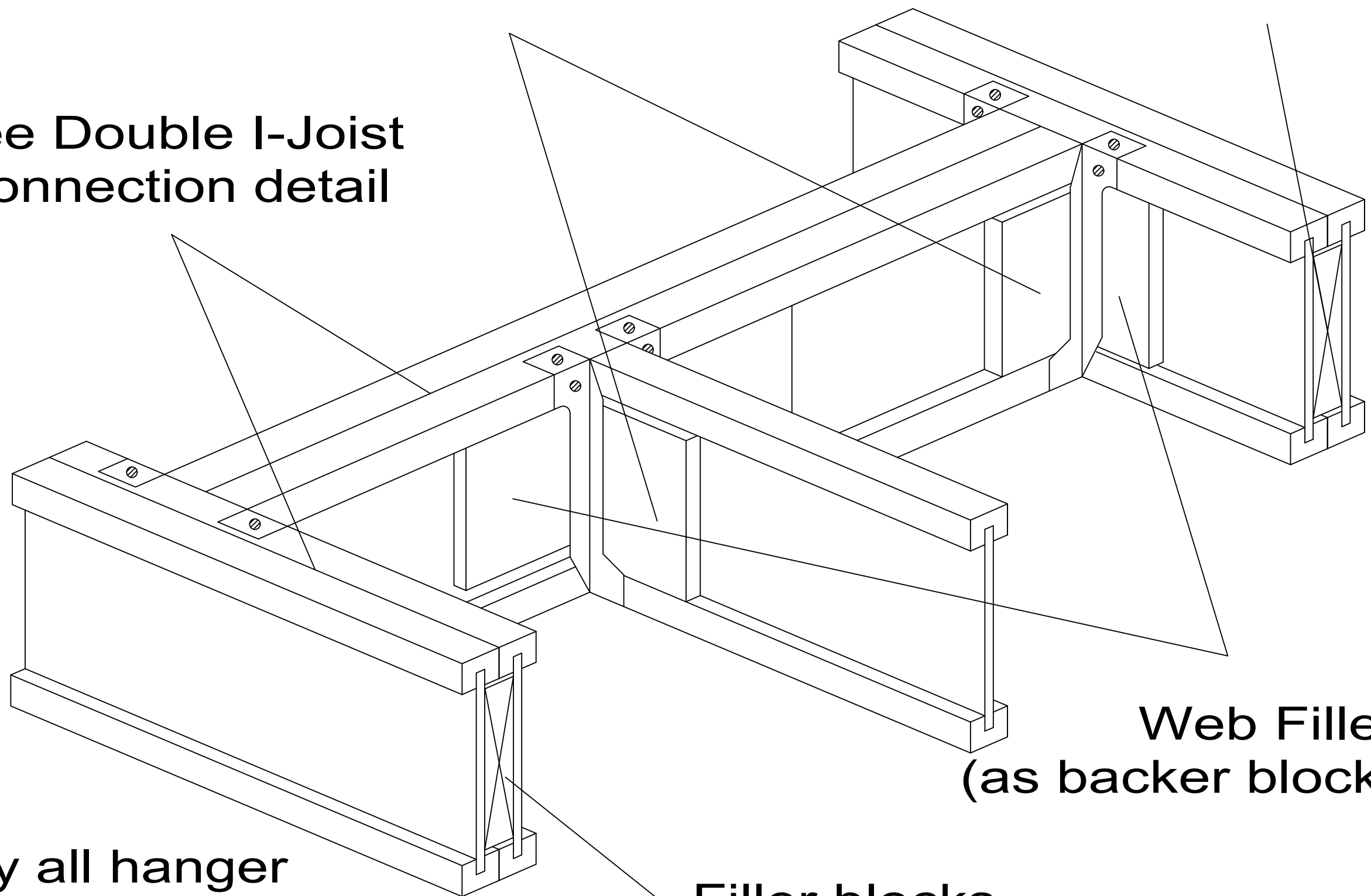
E3

I-JOIST HEADER

Verify web filler/stiffener requirements for hangers

Filler blocks

See Double I-Joist Connection detail



Web Filler
(as backer block)

Verify all hanger connections

Filler blocks

See I-Joist Header Cross-Section for information on attaching web fillers and filler blocks

Refer to I-Joist Filler Thickness table for web filler (backer block) and filler block sizes