

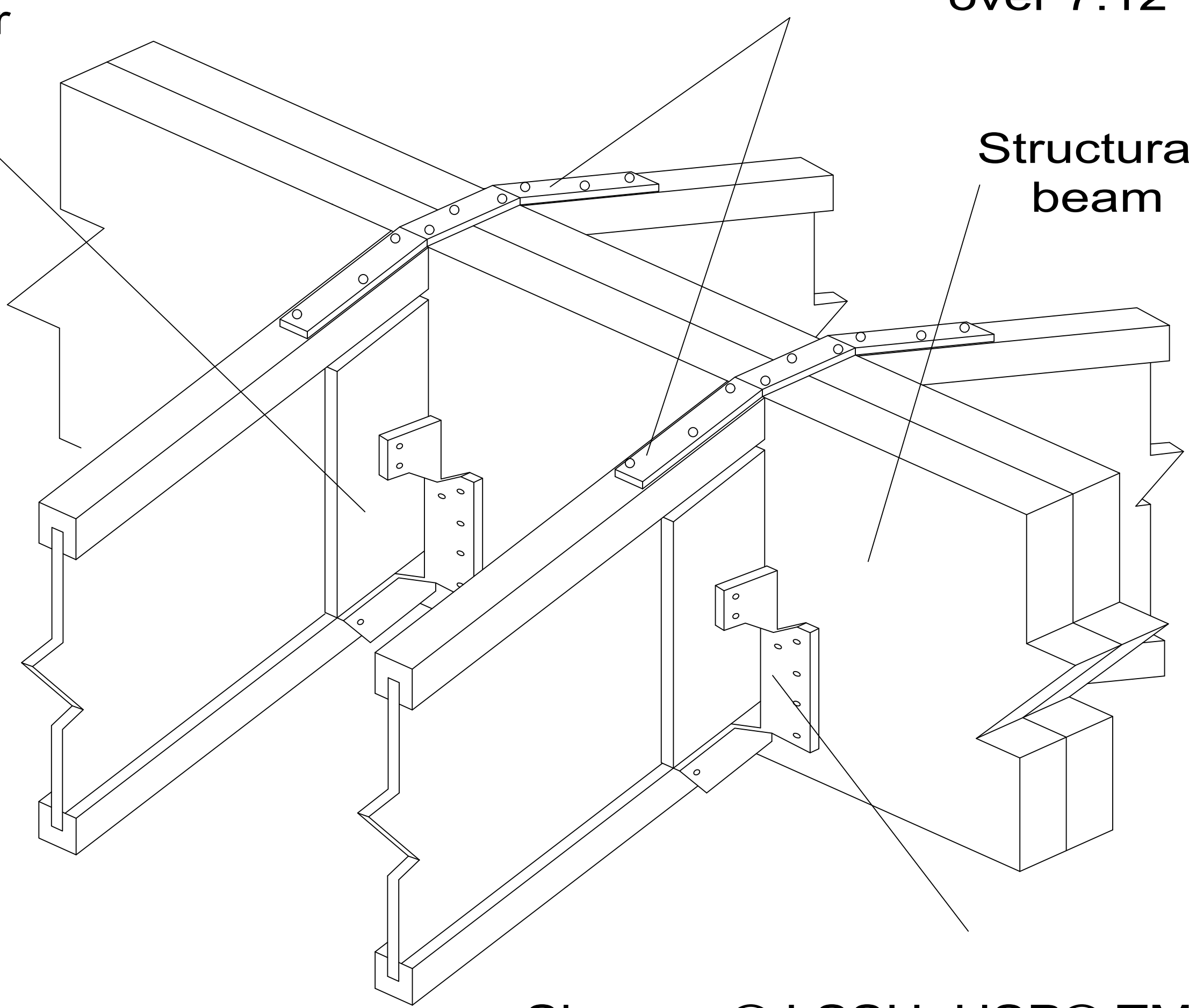
J3

# RIDGE RAFTER CONNECTION

Simpson® LSTA24,  
USP® LSTI-22 strap  
(or equal) for slopes  
over 7:12

Web filler  
required  
each  
side

Structural  
beam



Simpson® LSSU, USP® TMU  
(or equal) hanger