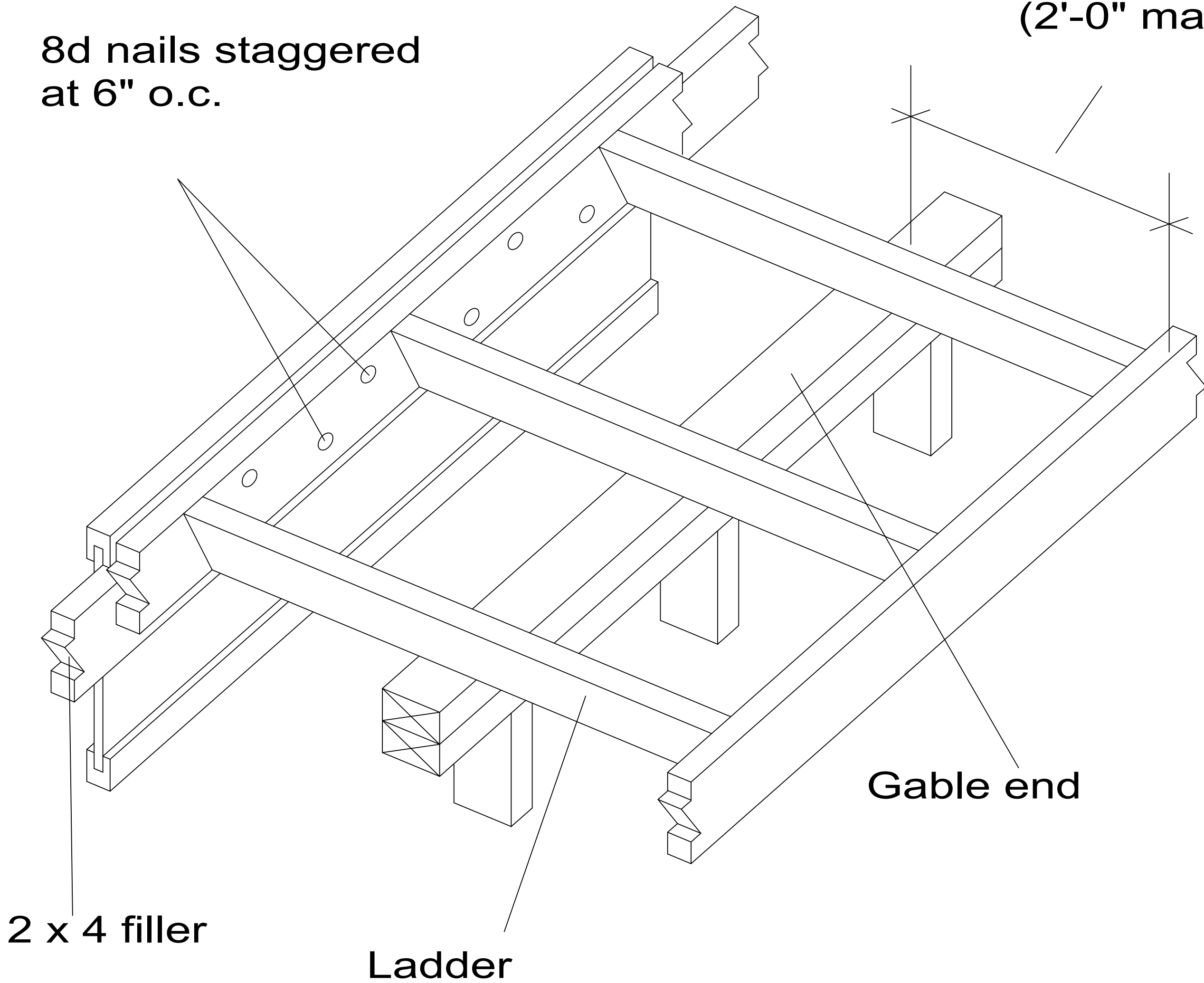


K2

OUTRIGGER

Maximum overhang
same as rafter spacing
(2'-0" max.)

8d nails staggered
at 6" o.c.



2 x 4 filler

Ladder

Gable end