

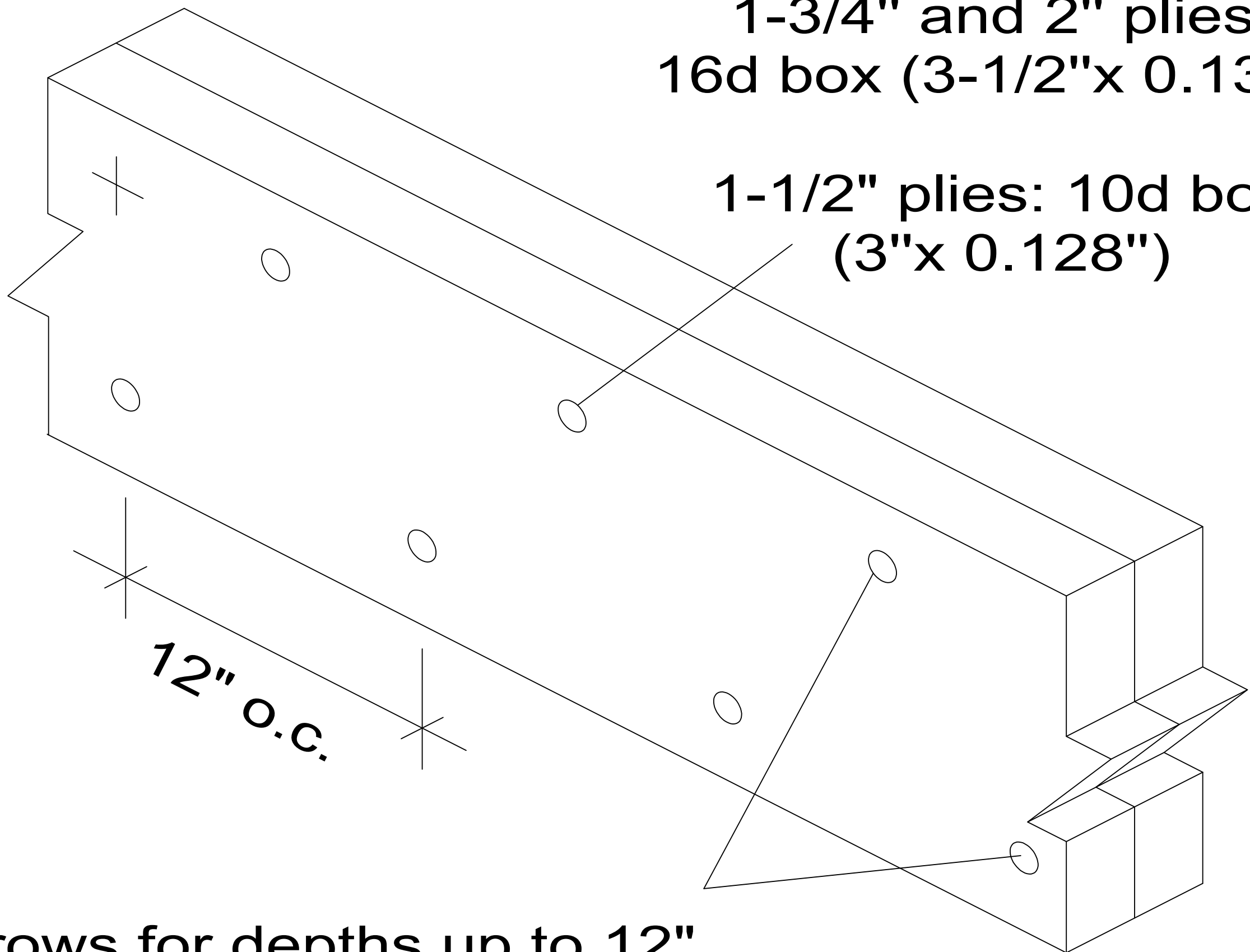
P1

TOP LOADED BEAM- NAILED CONNECTION

(See Connection Assemblies for more details)

Minimum nail sizes:
1-3/4" and 2" plies:
16d box (3-1/2"x 0.135")

1-1/2" plies: 10d box
(3"x 0.128")



Two rows for depths up to 12"
Three rows for depths up to 18"

Framing is applied to top of the beam so that
each ply carries an equal load