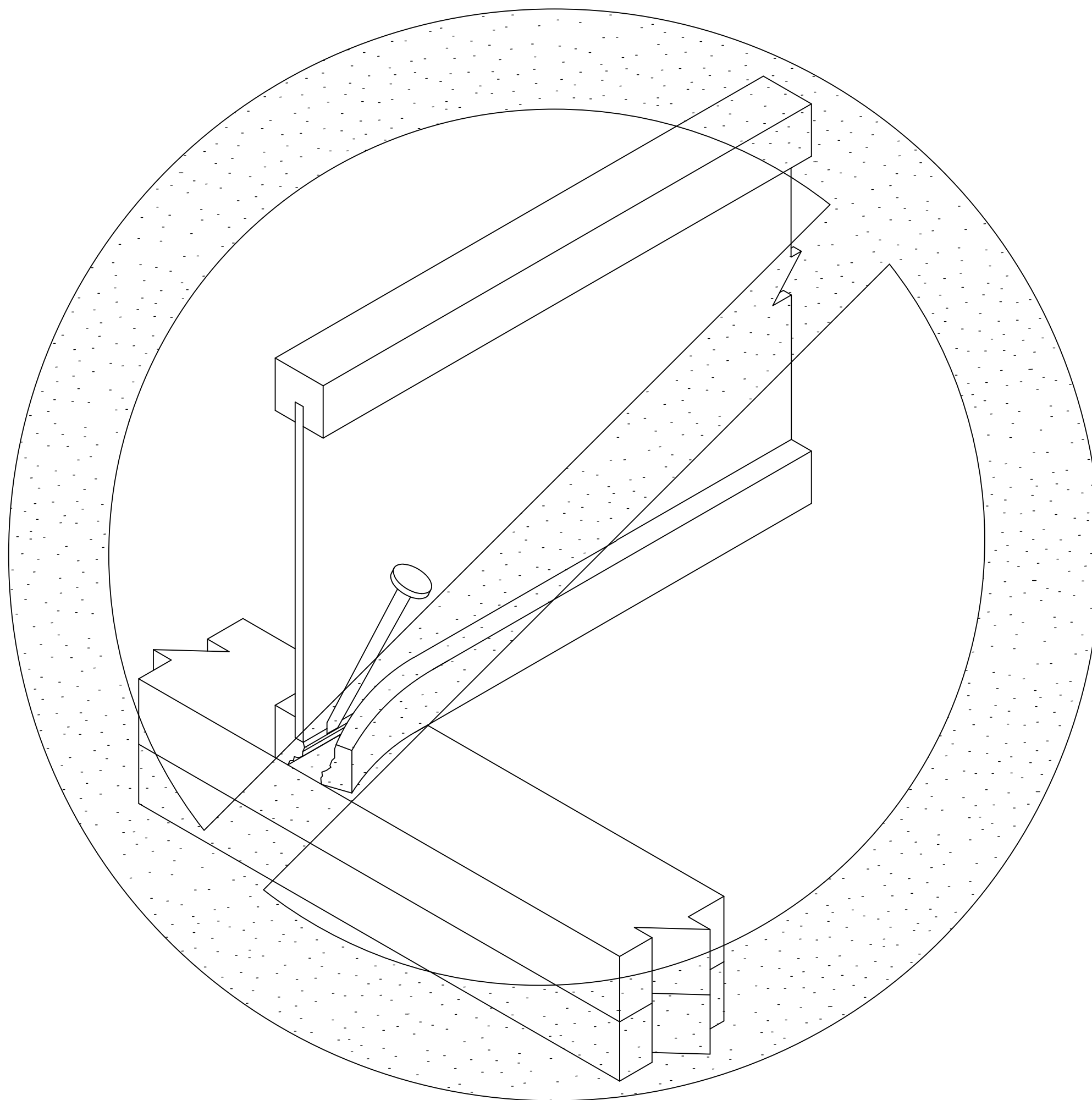


R6

DON'T use 16d nails.



**Refer to Joist End Nailing detail,
A5, for correct sizes and locations.**