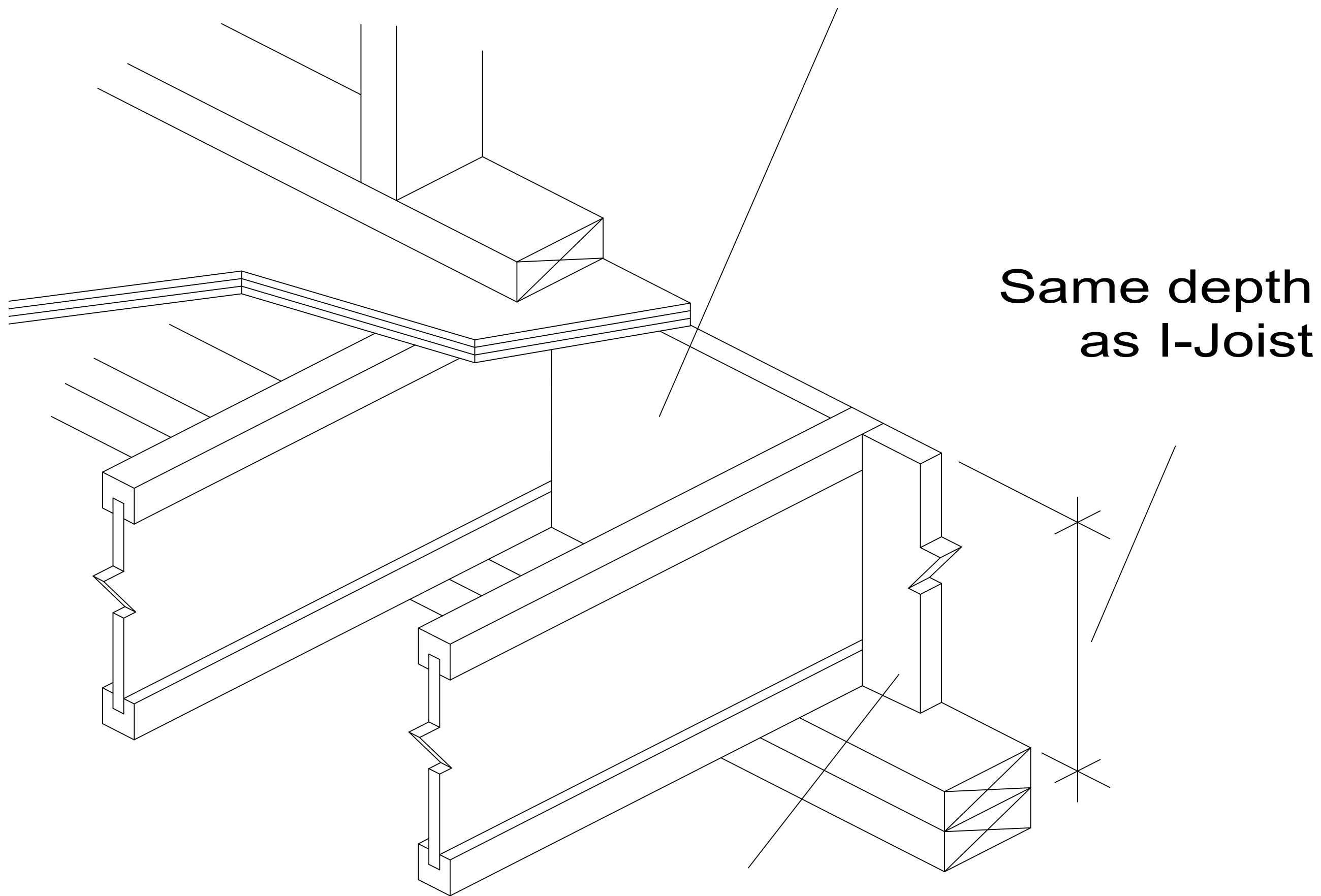


**A4**

# **SOLID BLOCKING AT EXTERIOR WALL**

**LP LVL, LP LSL or  
LP Rim Board as blocking**



**8d nails at 6" o.c. toe-nailed  
from outside of building.**