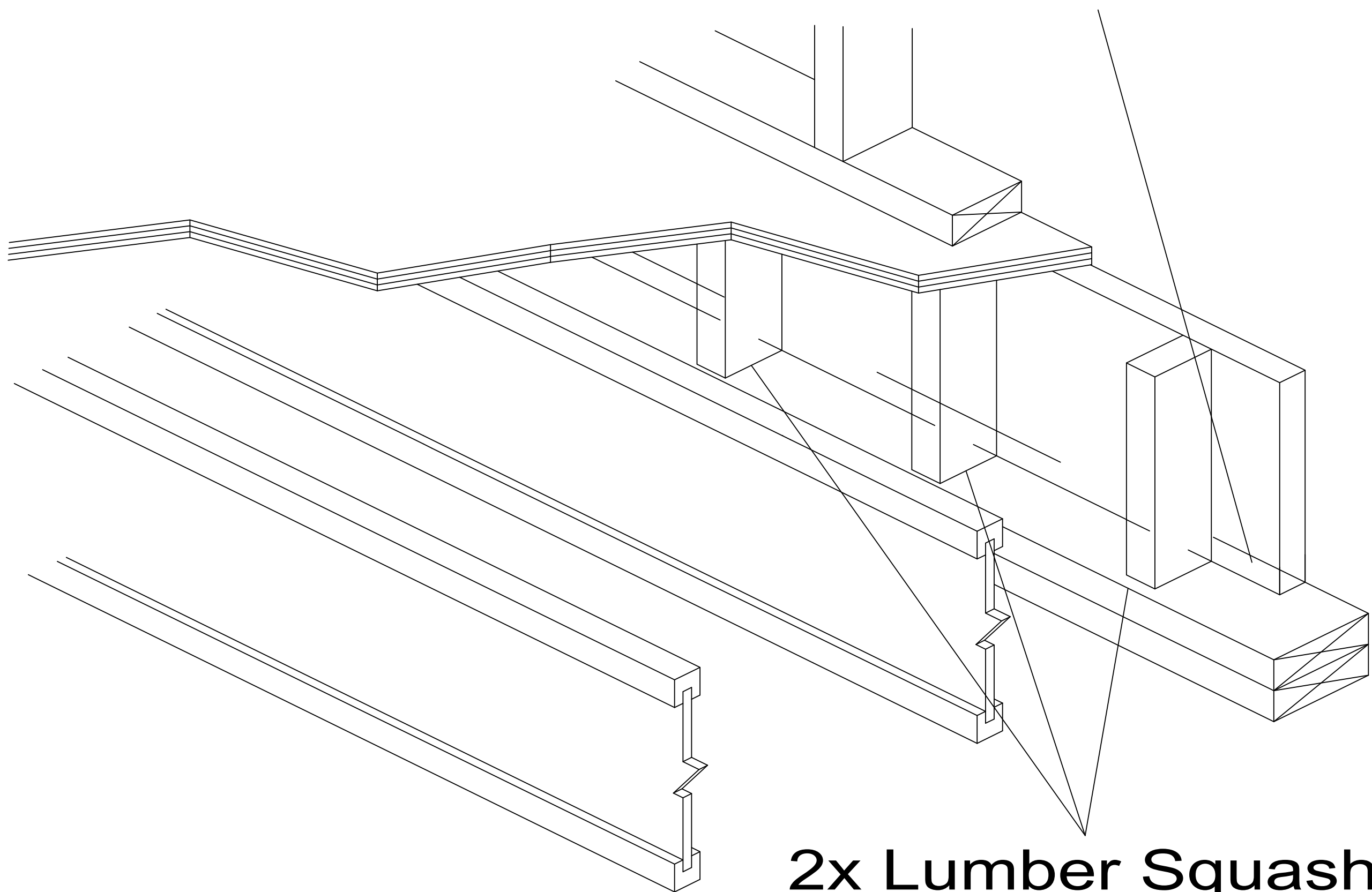


**A7s**

# **SOLID RIM AS STARTER JOIST w/ Squash Blocks**

**8d nails at 6" o.c. toe-nailed  
from outside of building.**

(when used for shear transfer nail to  
bearing plate with same nailing schedule as decking)



**2x Lumber Squash  
Blocks at 24" oc max.**