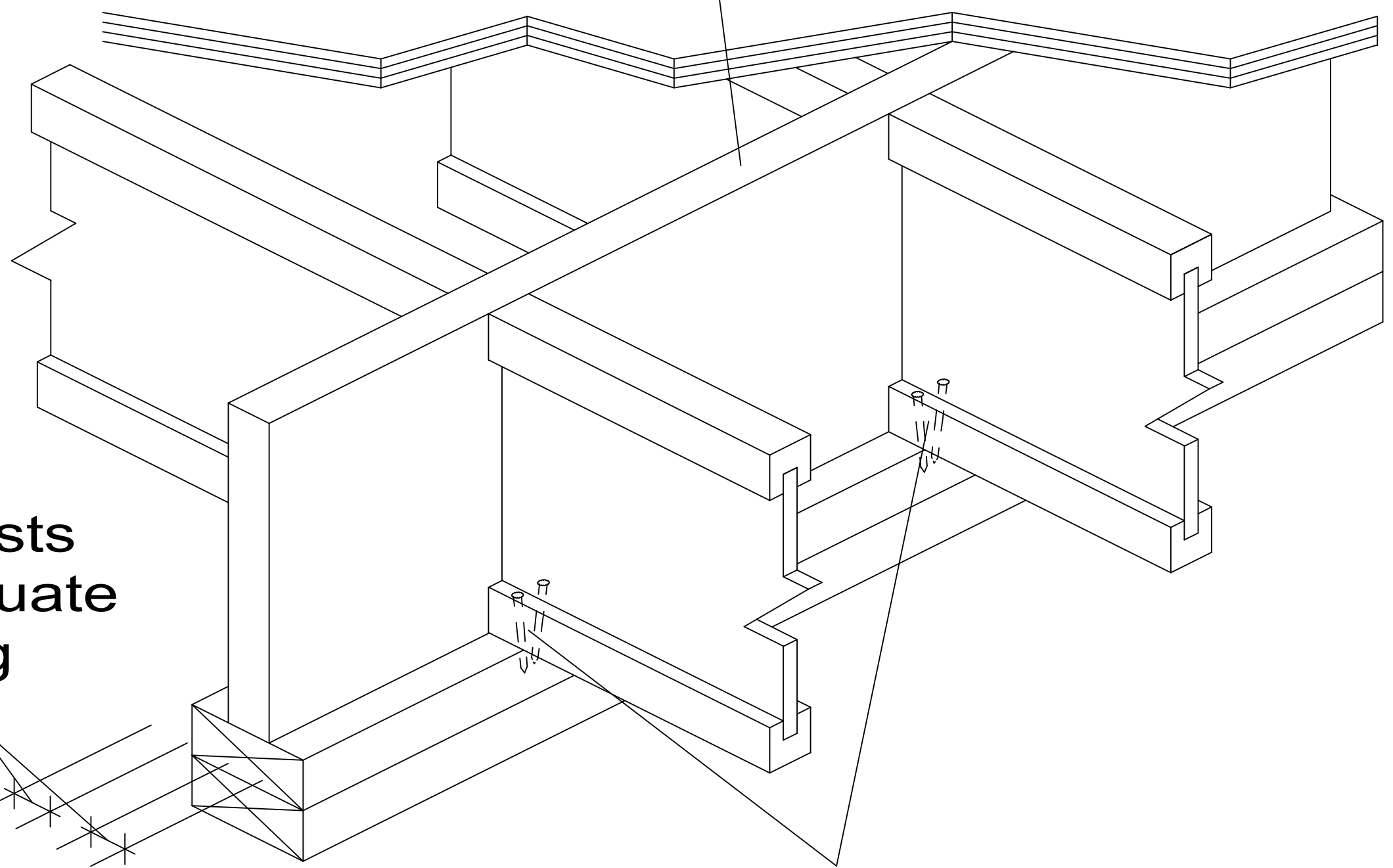
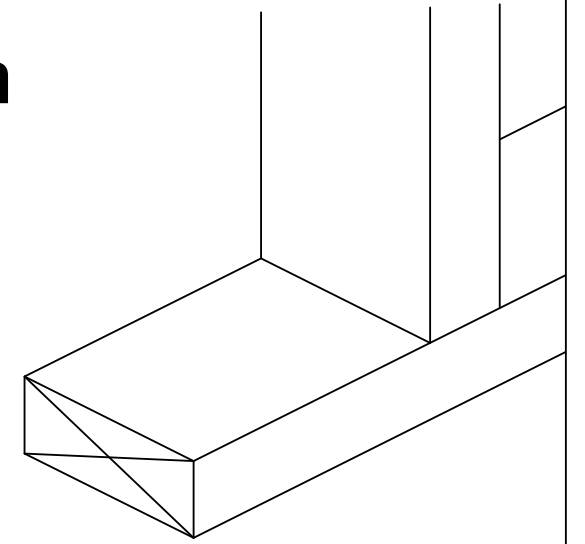


B3i I-JOIST END OVER INTERIOR SUPPORT with Continuous Rim

Use LP OSB or LSL Rim
to protect the I-Joists

Fasten rim board to each floor
I-Joist using one 8d nail or
10d box nail per flange



Verify Joists
have Adequate
Bearing

Place nail 1-1/2" min. from end of
I-Joist. If nails are close to edge
of plate, drive at an angle to
reduce splitting.

8d nail at 6" o.c.
(when used for shear transfer
nail to bearing plate with same
nailing schedule as decking)