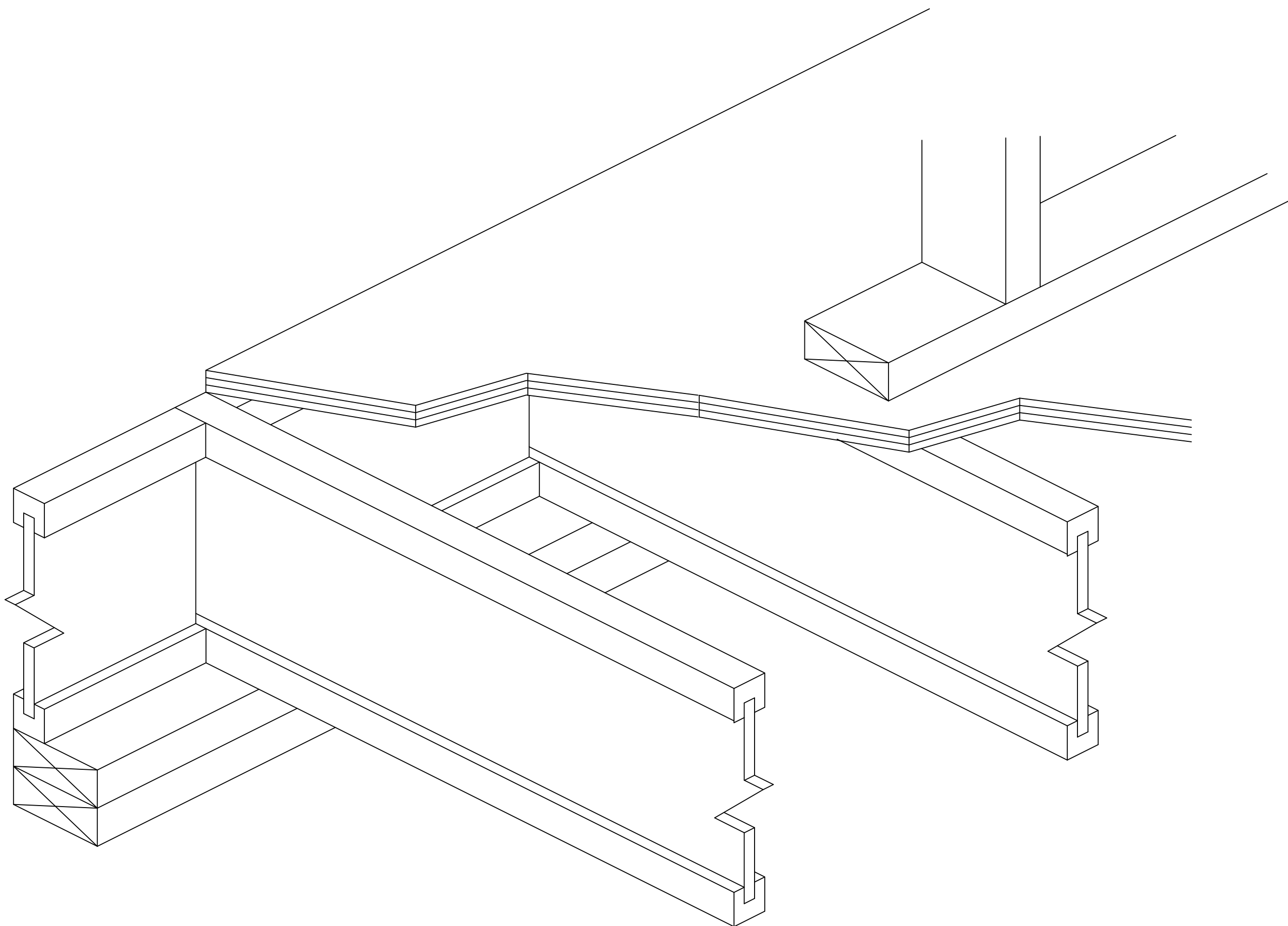


B7

NON-STACKING WALLS



LP SolidStart I-Joists shall be designed to carry all applied loads including walls from above that do not stack directly over the I-Joist support.