

C8a

BRICK LEDGE CANTILEVER

Full Depth Reinforcing (1-Side)

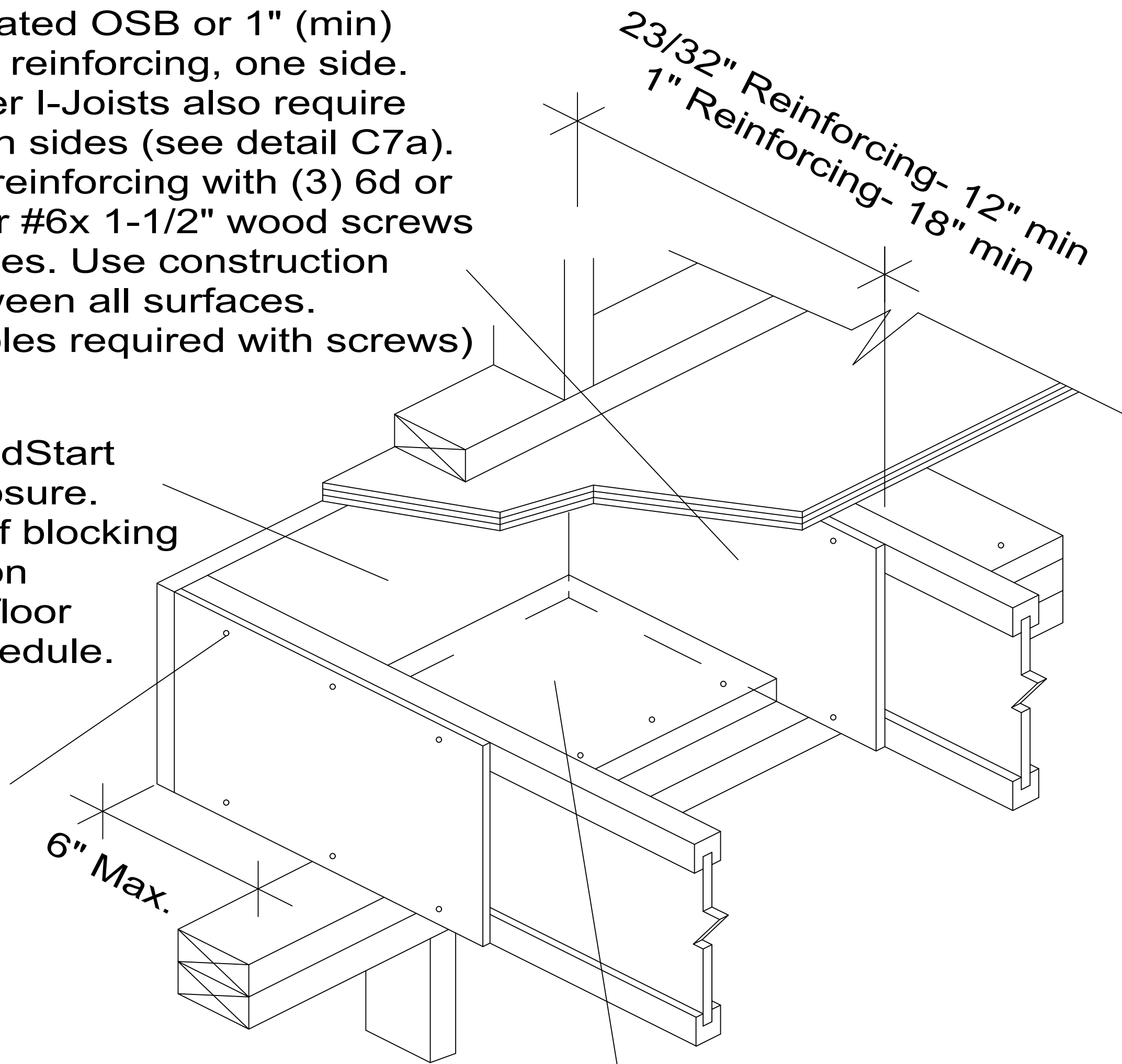
23/32" APA Rated OSB or 1" (min)
LP Rim Board reinforcing, one side.
14" and deeper I-Joists also require
web fillers both sides (see detail C7a).
Nail or screw reinforcing with (3) 6d or
8d box nails or #6x 1-1/2" wood screws
into both flanges. Use construction
adhesive between all surfaces.
(Note: Pilot holes required with screws)

Min 1" LP SolidStart
Rim Board closure.
Nail to edge of blocking
with connection
equivalent to floor
sheathing schedule.

2" min from
end of I-Joist

6" Max.

23/32" Reinforcing- 12" min
1" Reinforcing- 18" min



2x or LP Rim Board Soffit Block
must extend to inside face of rim board closure.
Attach to bearing wall as required by code.