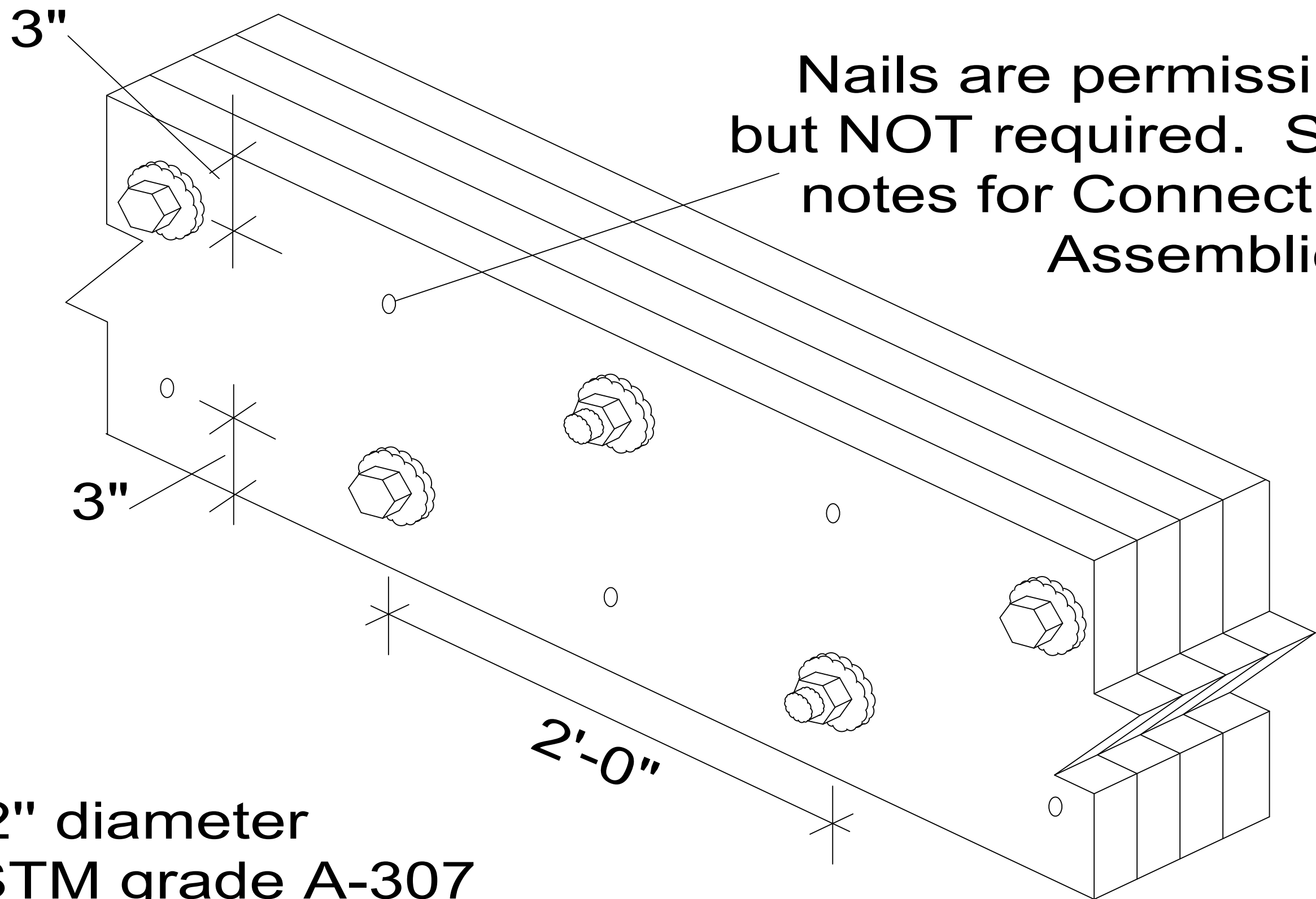


P2

# TOP LOADED BEAM- BOLTED CONNECTION

(See Connection Assemblies for more details)

Framing is applied to top of the beam so  
that each ply carries an equal load



Nails are permissible  
but NOT required. See  
notes for Connection  
Assemblies.

1/2" diameter  
ASTM grade A-307  
(or better) bolts.  
Use washers on both faces.