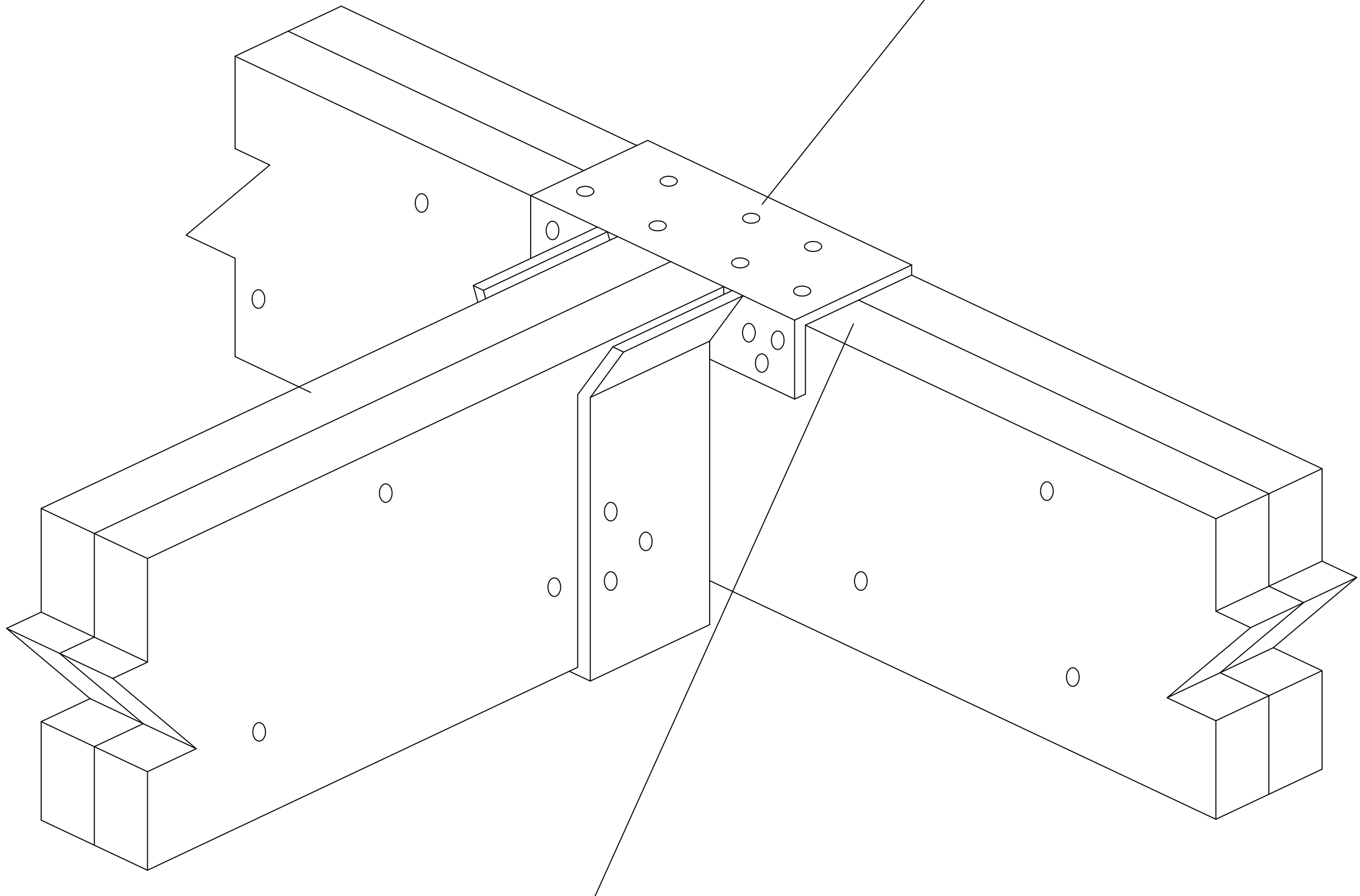


**B3**

# BEAM CONNECTION

Structurally adequate hanger



Hanger shall apply load equally to each ply  
or special design required