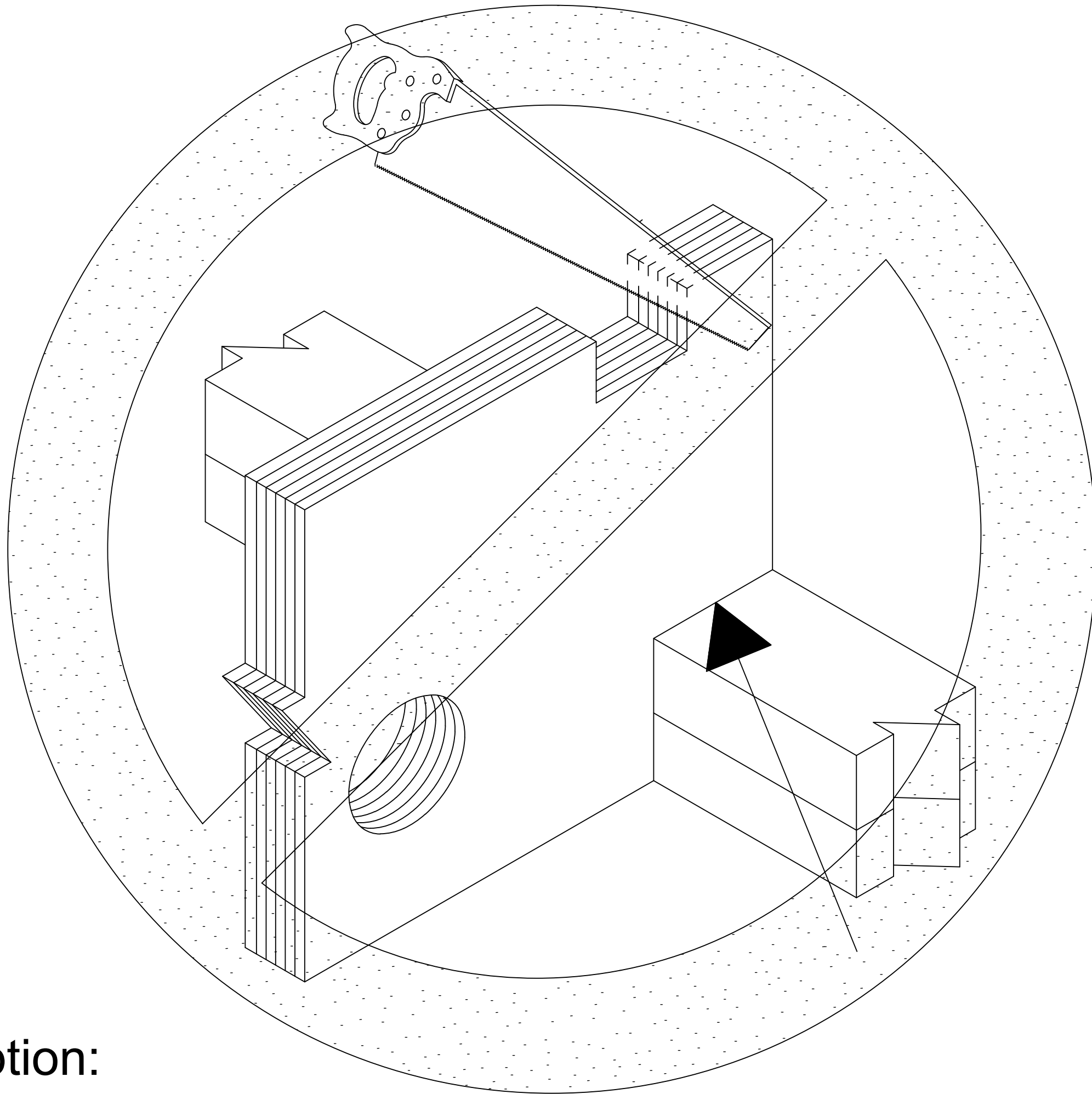


R9

**DON'T bore holes or notch unless reviewed by a design professional.**



**Exception:**

Small holes may be drilled in accordance with the Beam Hole Details.