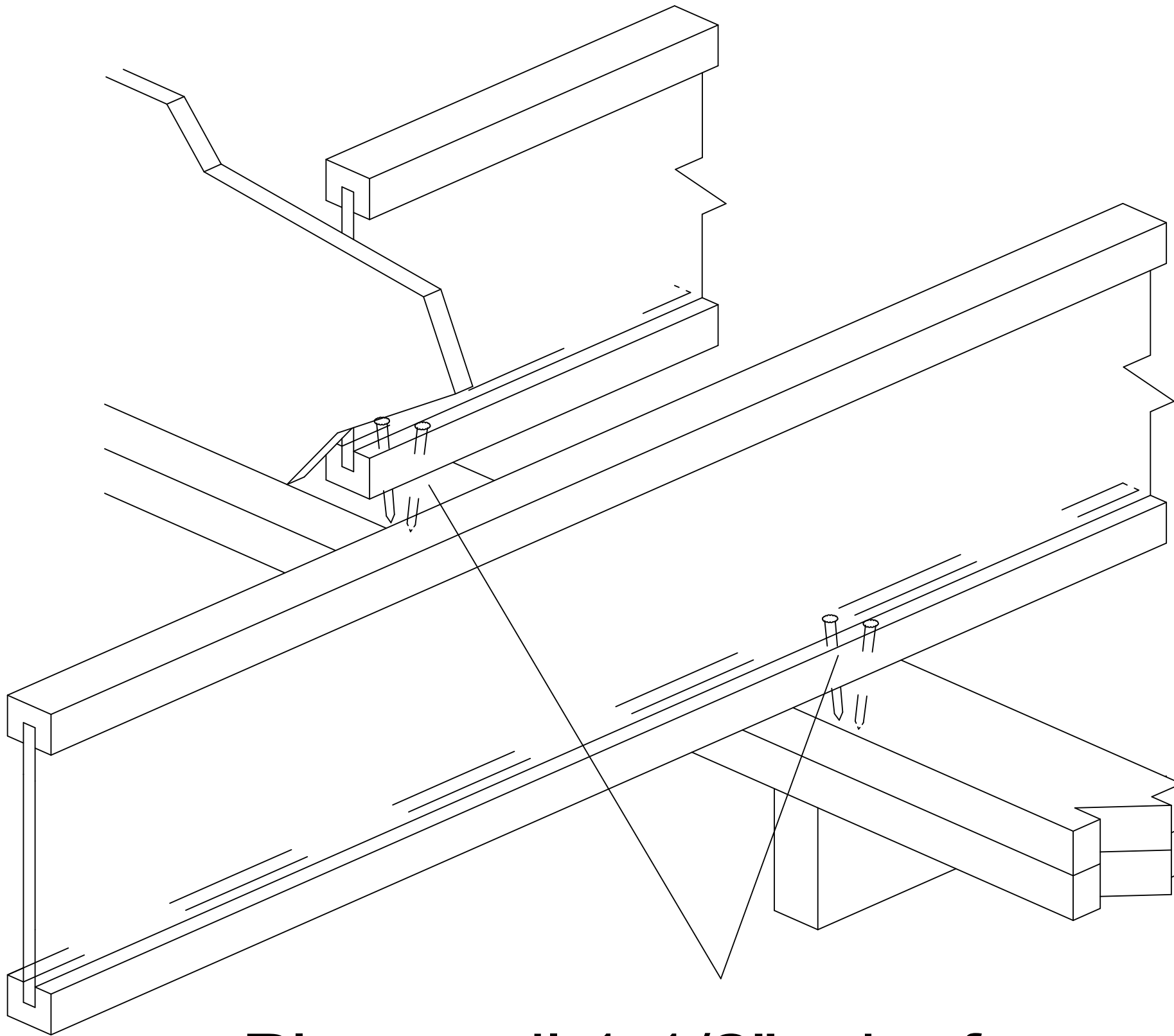


A5

## JOIST SUPPORT NAILING

Secure I-Joist to plate with two 8d or 10d box nails. Drive one nail from each side of I-Joist, angled inward.



Place nail 1-1/2" min. from end of I-Joist. If nails are close to edge of plate, drive at an angle to reduce splitting.