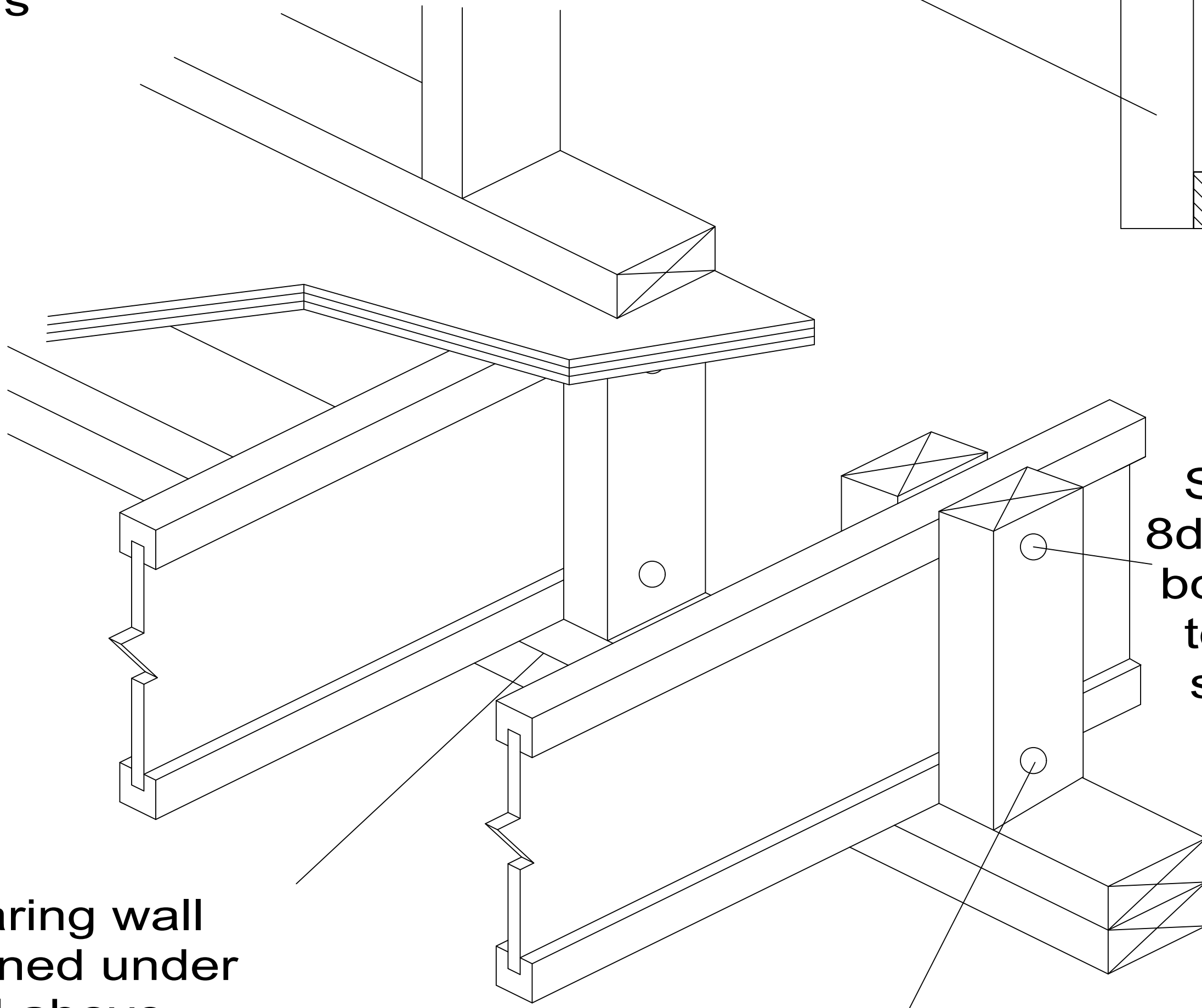
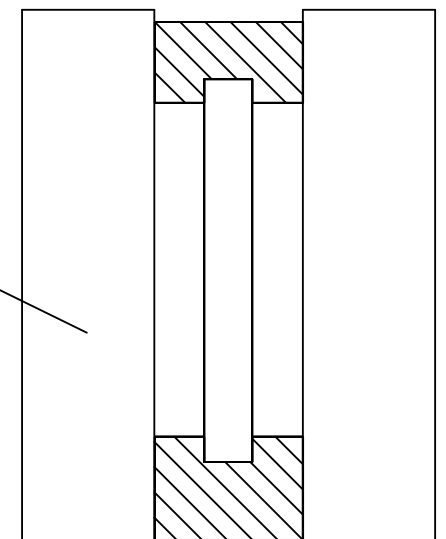


**B2**

# SQUASH BLOCKS

Use double squash blocks as specified.  
Squash blocks must be cut  $\frac{1}{16}$ " taller  
than I-Joist. 2x4 min.

Blocking panels  
may be required  
with shear  
walls



Stagger  
8d or 10d  
box nails  
to avoid  
splitting

Bearing wall  
aligned under  
wall above

Toe nail 8d or 10d box nail to plate