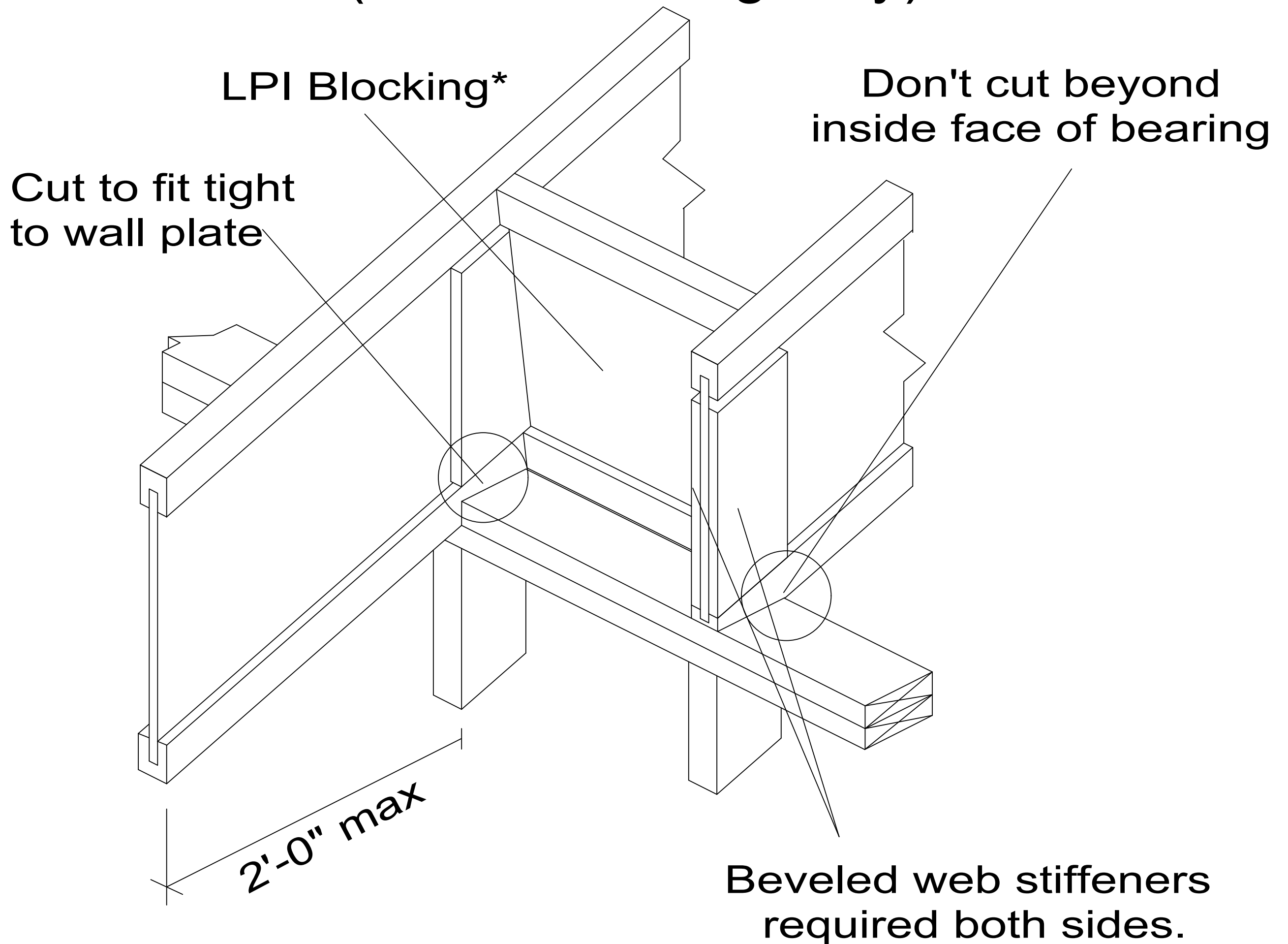


H1

BIRD'S MOUTH (Lower bearing only)



* Lateral resistance shall be provided. Other methods of restraint, such as full depth LP® SolidStart® OSB Rim, LSL, or LVL may be substituted for the LPI blocking shown.