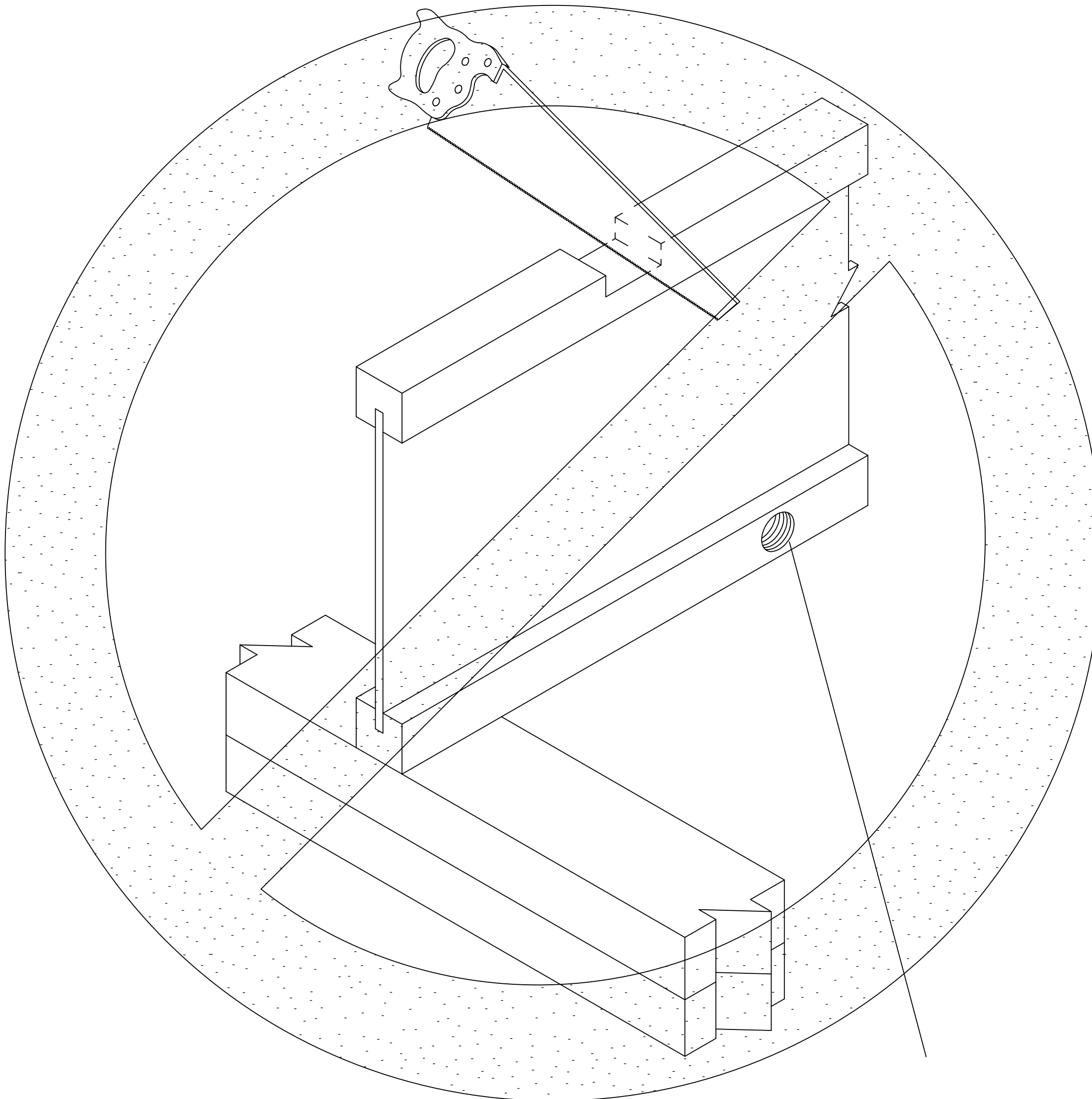


R4

DON'T cut or notch flange.



DON'T drill flange.