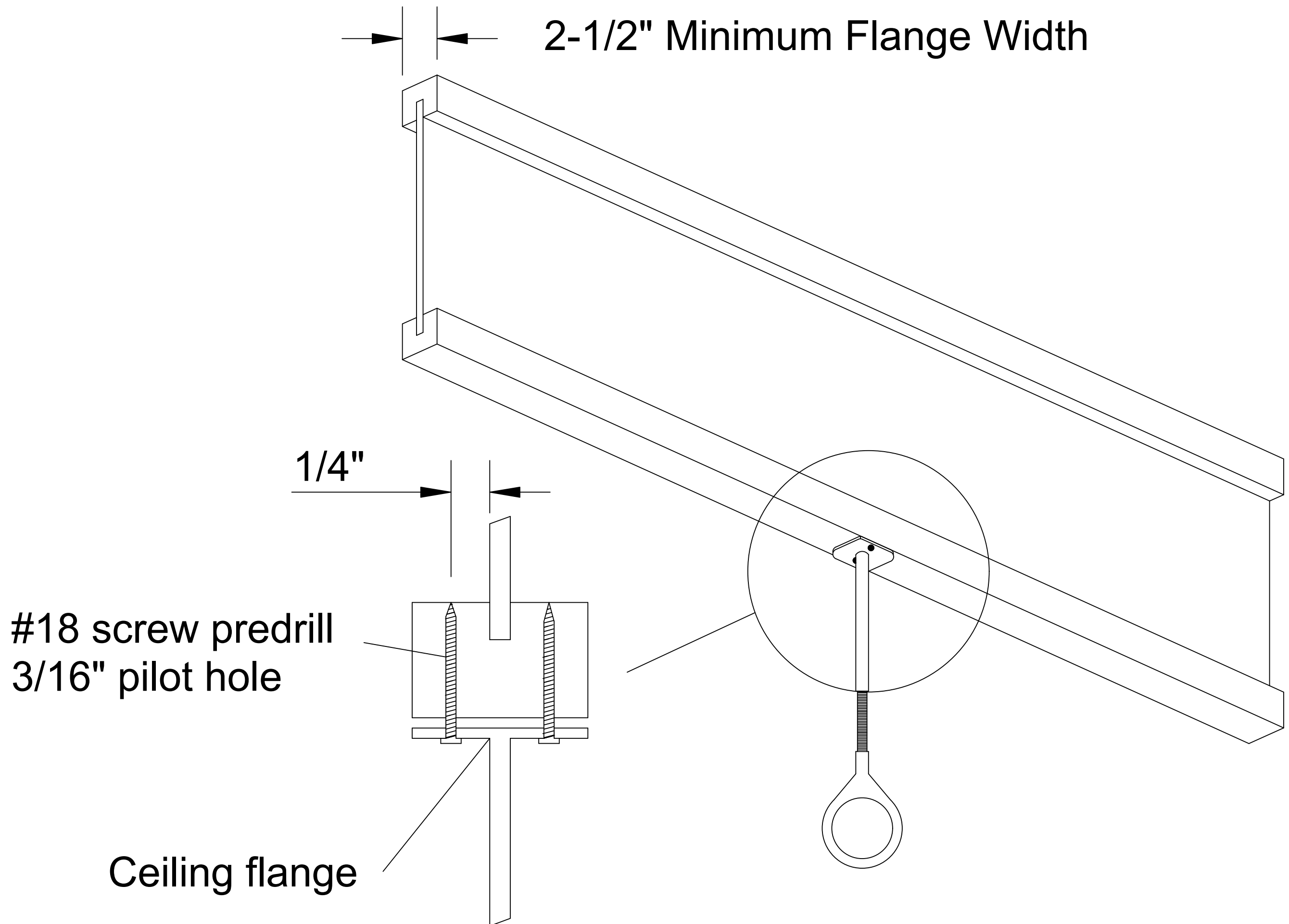


S1

TWO SCREW CEILING FLANGE

Assembly Capacity 200 lbs.



Verify hanger capacity with manufacture